



Sovitron Interior Pvt.Ltd.



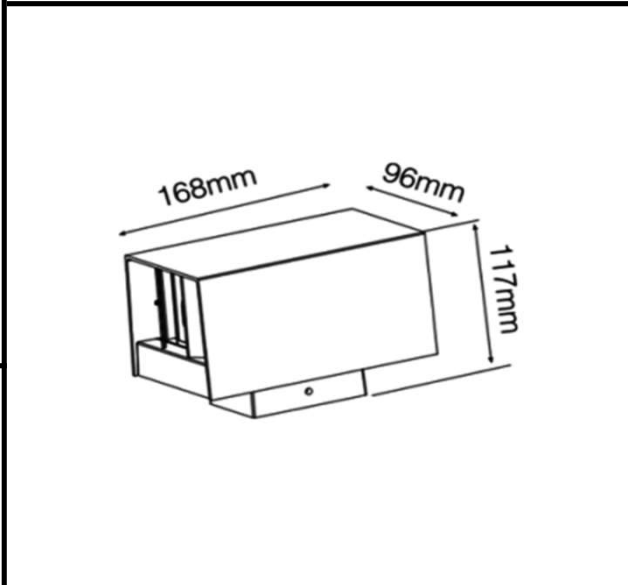
Model Name	SILAS-R6410 Wall Light/ DL-OUC-R6410-9
Description	Wall light (Direct-Indirect)

Technical description	Image
-----------------------	-------

Dimension	L=116mm W=96mm H=117mm
Frame	Aluminium Die-cast
Color Tempertaure	4000K
Power	9W
Total Luminous Flux	450 lm
Efficacy	50 lm/W
IP rating	65
Beam angle	2X(0-100°)
Color Rendering	≥80
Mounting	Surface
Optics	Clear tempered glass
Dimming	NON-Dimmable
Operating Voltage	220-240 VAC
Standard Lifetime	L70 minimum at 50,000 burning hours



Dimension diagram



Remarks:-

Address: Plot #7 Saroorpur-Nangla Industrial Area,Ballabgarh-Sohna Road,Faridabad-121005
Email: info@sovitron.com